

# vApplyHD™



## Eliminate Row-by-Row Variability

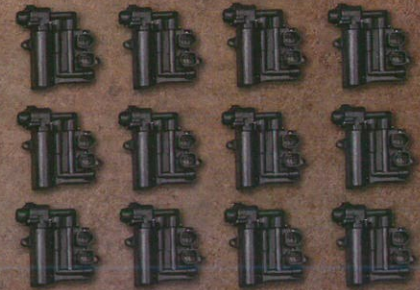
Many growers today understand traditional liquid application hardware lacks even distribution across the field. However, they may fail to realize their current system could have 15-30% row-by-row variation of the application. This variation creates hidden hunger (unobservable deficiency) or over application, both impacting farm profitability. Do you know how much product is being applied on each row of your equipment?

## Row-by-Row Flow Control and Measurement

Remove row-by-row variability by accurately monitoring and controlling at the point of application. vApplyHD controls for swath, curves, changes in speed, and changes in rate on a row-by-row basis, all while consolidating your hardware from 7 pieces per row into one.

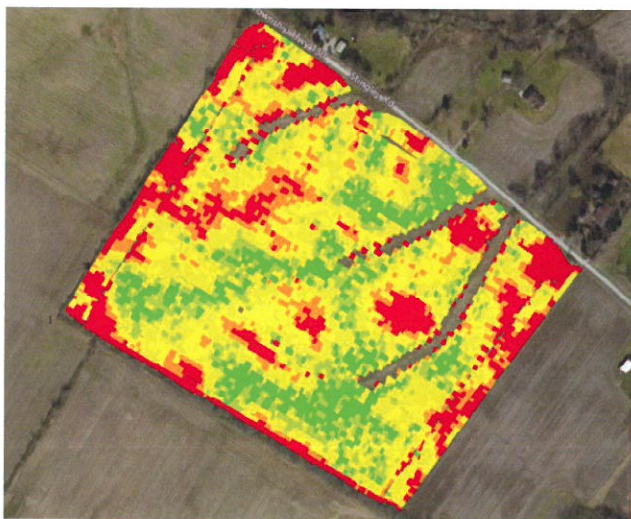


OR

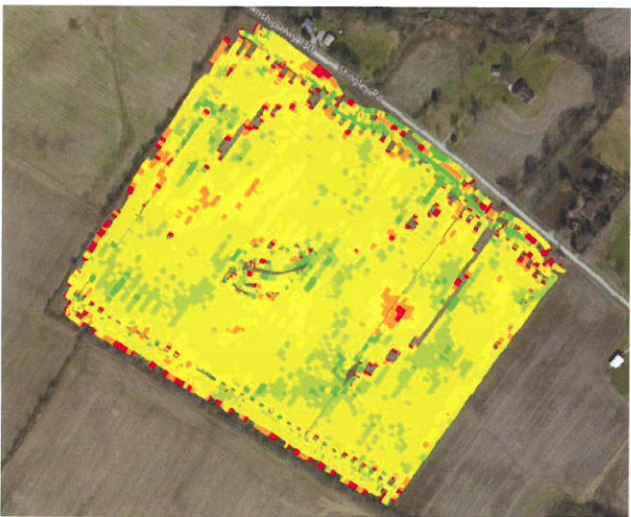


# See The Difference

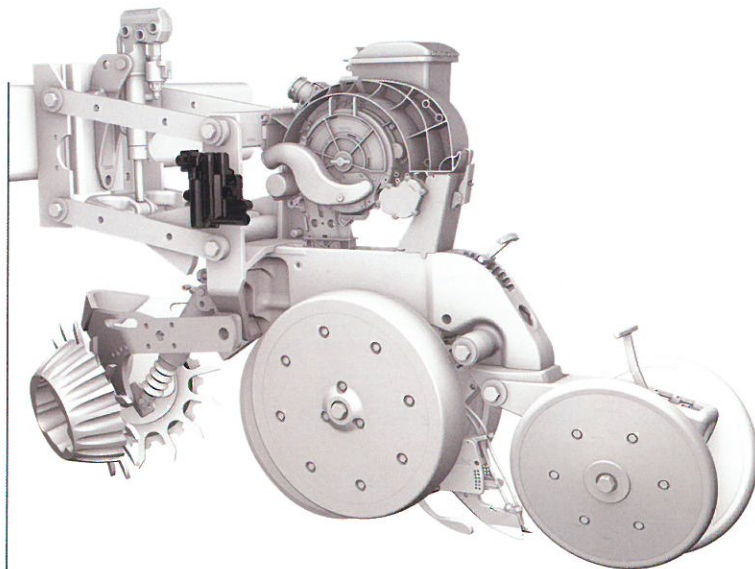
A Precision Planting customer from Wilmington, Ohio was planting and applying starter at a flat rate across a field with a significant variation in elevations and soil types. He decided to convert to vSet® Select and vApplyHD to better utilize his seed and starter in order to optimize his yield. Comparing two years of yield data which had very similar weather, he was able to show a 16 bu/A increase by varying starter applied on the planter along with hybrid and population, meanwhile reducing his total amount of starter by 30%.



2012 yield map **162 bu/A**  
field planted with flat rate seed and flat rate pop-up



2016 yield map **178 bu/A**  
field planted with variable rate seed and variable rate pop-up



## Specifications

### COMPATIBILITY

SRM systems

Side-Dress applicator

Up to (2) vApplyHD modules per row  
and/or (2) FlowSense™ modules

Section control vApplyHD  
(needs FlowSense on all rows)

Not compatible with suspension fertilizers

vApplyHD Module Compatible pump types  
controlled by: (electrical, hydraulic, ground drive)

- Diaphragm
- Centrifugal
- Piston
- Electrical

vApplyHD is not compatible with Squeeze Pump

### FLOW RANGES

Max sealing pressure 100 PSI

.05-3.0 GPM

(approx 3 GPA to 60 GPA assuming 30" rows)

Eliminate needs for orifices

High resolution data mapping

### PLUMBING REQUIREMENTS

80 mesh strainer between tank and  
vApplyHD modules

Manual pressure relief valve

System accumulator

Pump outlet pressure sensor

Learn more at [precisionplanting.com](http://precisionplanting.com)

 Precision Planting

FlowSense™ and vApplyHD™ are trademarks of Precision Planting LLC. vSet® Select and Precision Planting® are registered trademarks of Precision Planting LLC. All other trademarks are the property of their respective owners. ©2017 Precision Planting LLC.